
**Rubber and plastics inlet hoses and hose
assemblies for washing-machines and
dishwashers — Specification**

*Tuyaux et flexibles en caoutchouc et en plastique pour l'alimentation
des machines à laver et lave-vaisselle — Spécifications*



Reference number
ISO 6804:2009(E)

© ISO 2009

PDF disclaimer

This PDF file may contain embedded typefaces. In accordance with Adobe's licensing policy, this file may be printed or viewed but shall not be edited unless the typefaces which are embedded are licensed to and installed on the computer performing the editing. In downloading this file, parties accept therein the responsibility of not infringing Adobe's licensing policy. The ISO Central Secretariat accepts no liability in this area.

Adobe is a trademark of Adobe Systems Incorporated.

Details of the software products used to create this PDF file can be found in the General Info relative to the file; the PDF-creation parameters were optimized for printing. Every care has been taken to ensure that the file is suitable for use by ISO member bodies. In the unlikely event that a problem relating to it is found, please inform the Central Secretariat at the address given below.



COPYRIGHT PROTECTED DOCUMENT

© ISO 2009

All rights reserved. Unless otherwise specified, no part of this publication may be reproduced or utilized in any form or by any means, electronic or mechanical, including photocopying and microfilm, without permission in writing from either ISO at the address below or ISO's member body in the country of the requester.

ISO copyright office
Case postale 56 • CH-1211 Geneva 20
Tel. + 41 22 749 01 11
Fax + 41 22 749 09 47
E-mail copyright@iso.org
Web www.iso.org

Published in Switzerland

Contents

Page

Foreword	iv
1 Scope	1
2 Normative references	1
3 Terms and definitions	2
4 Classification	2
5 Couplings and fittings	2
6 Materials and construction	2
7 Dimensions and tolerances	3
8 Performance requirements for finished hoses	3
9 Frequency of testing	9
10 Test certificate	9
11 Marking	9
12 Recommendations for packaging and storage	9
Annex A (normative) Type tests and routine tests	10
Annex B (informative) Recommended tests for production testing	11
Annex C (informative) Delivery certificate and test certificate	12
Bibliography	13

Foreword

ISO (the International Organization for Standardization) is a worldwide federation of national standards bodies (ISO member bodies). The work of preparing International Standards is normally carried out through ISO technical committees. Each member body interested in a subject for which a technical committee has been established has the right to be represented on that committee. International organizations, governmental and non-governmental, in liaison with ISO, also take part in the work. ISO collaborates closely with the International Electrotechnical Commission (IEC) on all matters of electrotechnical standardization.

International Standards are drafted in accordance with the rules given in the ISO/IEC Directives, Part 2.

The main task of technical committees is to prepare International Standards. Draft International Standards adopted by the technical committees are circulated to the member bodies for voting. Publication as an International Standard requires approval by at least 75 % of the member bodies casting a vote.

Attention is drawn to the possibility that some of the elements of this document may be the subject of patent rights. ISO shall not be held responsible for identifying any or all such patent rights.

ISO 6804 was prepared by Technical Committee ISO/TC 45, *Rubber and rubber products*, Subcommittee SC 1, *Hoses (rubber and plastics)*.

This third edition cancels and replaces the second edition (ISO 6804:1991), which has been technically revised as follows:

- plastics hoses have been added as type 3 in Clause 1;
- requirements for plastics hoses and the corresponding tests, such as the flexing tests in 8.2, have been added.

Rubber and plastics inlet hoses and hose assemblies for washing-machines and dishwashers — Specification

1 Scope

This International Standard specifies the requirements for three types of rubber or plastics inlet hoses and hose assemblies for washing-machines and dishwashers connected to the domestic water supply at a pressure not exceeding 1 MPa (10 bar).

It is applicable to the following types of hose:

- Type 1: rubber hoses for unheated water supply (maximum temperature 70 °C).
- Type 2: rubber hoses for heated water supply (maximum temperature 90 °C).
- Type 3: plastics hoses for unheated water supply (maximum temperature 60 °C).

There may be national requirements for hose fittings and hoses conveying drinking water which must be complied with.

2 Normative references

The following referenced documents are indispensable for the application of this document. For dated references, only the edition cited applies. For undated references, the latest edition of the referenced document (including any amendments) applies.

ISO 188, *Rubber, vulcanized or thermoplastic — Accelerated ageing and heat resistance tests*

ISO 1307, *Rubber and plastics hoses — Hose sizes, minimum and maximum inside diameters, and tolerances on cut-to-length hoses*

ISO 1402, *Rubber and plastics hoses and hose assemblies — Hydrostatic testing*

ISO 1746:1998, *Rubber or plastics hoses and tubing — Bending tests*

ISO 4671, *Rubber and plastics hoses and hose assemblies — Methods of measurement of the dimensions of hoses and the lengths of hose assemblies*

ISO 4892-1, *Plastics — Methods of exposure to laboratory light sources — Part 1: General guidance*

ISO 4892-2, *Plastics — Methods of exposure to laboratory light sources — Part 2: Xenon-arc lamps*

ISO 4892-3, *Plastics — Methods of exposure to laboratory light sources — Part 3: Fluorescent UV lamps*

ISO 4892-4, *Plastics — Methods of exposure to laboratory light sources — Part 4: Open-flame carbon-arc lamps*

ISO 7326:2006, *Rubber and plastics hoses — Assessment of ozone resistance under static conditions*

ISO 8033, *Rubber and plastics hoses — Determination of adhesion between components*

ISO 8330, *Rubber and plastics hoses and hose assemblies — Vocabulary*

ISO 8331, *Rubber and plastics hoses and hose assemblies — Guidelines for selection, storage, use and maintenance*

ISO 23529, *Rubber — General procedures for preparing and conditioning test pieces for physical test methods*

3 Terms and definitions

For the purposes of this document, the terms and definitions given in ISO 8330 apply.

4 Classification

Hoses are designated as one of the following three types, depending on the hose material and the temperature of the water supply:

- Type 1:** Rubber hoses for a medium-temperature water supply (up to 70 °C) — for a maximum working pressure of 1 MPa (10 bar).
- Type 2:** Rubber hoses for a high-temperature water supply (up to 90 °C) — for a maximum working pressure of 1 MPa (10 bar).
- Type 3:** Plastics hoses for low temperature (up to 60 °C) water supply — for a maximum working pressure of 0,8 MPa (8 bar).

5 Couplings and fittings

Hoses may be fitted with the appropriate type of coupling and end fitting to form hose assemblies.

NOTE Guidance on coupling types is given in ISO/TR 17784.

6 Materials and construction

The hose construction shall be as follows:

- a) the hose lining shall consist of rubber for type 1 and type 2 or thermoplastics material for type 3;
- b) the hose reinforcement shall consist of natural or synthetic textile material applied by any suitable technique;
- c) the hose cover shall consist of an ozone-resistant rubber for type 1 and type 2 or a weather-resistant thermoplastics material for type 3 (or, alternatively, a stainless-steel braid may be used instead of a cover).

The lining and the cover shall be of uniform thickness, concentric, fully gelled and free from visible cracks, porosity, foreign inclusions and other defects which could cause the hose to be unserviceable.

7 Dimensions and tolerances

7.1 Inside diameters, tolerances and minimum wall thickness

7.1.1 Type 1 and type 2 hoses

The preferred values for the bore of the hose are 10 mm and 12,5 mm.

The tolerances on the bore will depend on the characteristics of the end fittings; consequently, they shall be agreed between the manufacturer of the hose and the constructor of the hose assembly, but shall not exceed the maximum tolerances specified in ISO 1307.

7.1.2 Type 3 hoses

When measured in accordance with ISO 4671, the inside diameter and minimum wall thickness of the hose shall meet the requirements specified in Table 1.

Table 1 — Nominal bores, inside diameters, tolerances on inside diameter and minimum wall thicknesses of plastics hoses

Nominal bore	Inside diameter mm	Tolerances on inside diameter mm	Minimum wall thickness mm
10	10	± 0,6	2,6
13	12,7	± 0,6	2,6

7.2 Concentricity

When determined in accordance with ISO 4671, the concentricity, based on a total indicator reading between the inside diameter and the outside surface of the cover, shall be no greater than 0,3 mm.

7.3 Tolerances on length

The tolerances on cut lengths of hose shall be in accordance with ISO 1307.

8 Performance requirements for finished hoses

8.1 Bending test

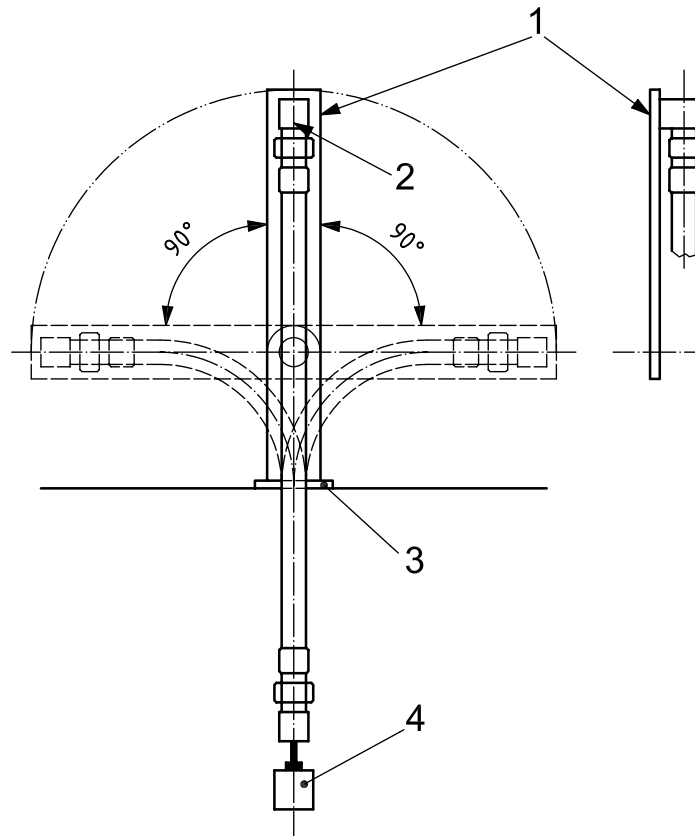
The bending test shall be carried out at a standard temperature as specified in ISO 23529.

When tested in accordance with ISO 1746:1998, method A, using a bending radius of 7,5 times the outside diameter, the hoses shall show no evidence, under visual examination, of kinking, breaking or peeling. The value of the coefficient of deformation (*TID*) shall not be lower than 0,8.

8.2 Flexing tests

8.2.1 General

In the case of type 3 hoses, flexing tests shall be carried out using the test arrangement shown in Figure 1.



Key

- 1 oscillating arm
- 2 flexing of coupling
- 3 support
- 4 2 kg weight

Figure 1 — Arrangement for flexing tests

8.2.2 Sub-ambient temperature flexing test

When the hose is tested during and after conditioning for 5 h at $(-5 \pm 3) ^\circ\text{C}$, the oscillating arm is moved right and left alternately through an angle of 90° at a rate of (50 ± 10) flexings per minute for 500 flexings. The hose shall show no evidence of cracking or other defects.

8.2.3 Standard laboratory temperature flexing test

When tested at a standard laboratory temperature as specified in ISO 23529, moving the oscillating arm through an angle of 180° at a rate of (20 ± 5) flexings per minute for 100 000 flexings, the hose shall show no evidence of cracking or other defects.

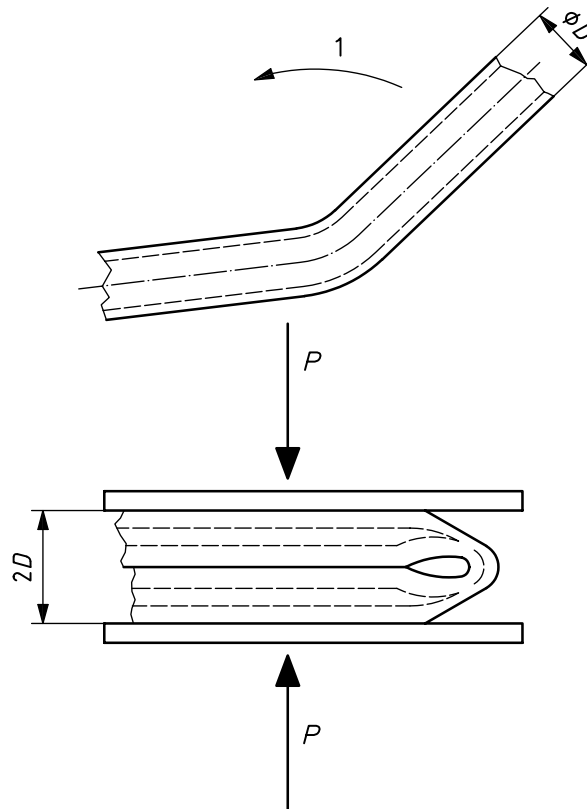
8.3 Resistance to kinking

The kinking test shall be carried out at a standard temperature as specified in ISO 23529.

The hose assembly is folded through an angle of 180° and then compressed in such a way that the total thickness is equal to twice the outer diameter of the hose, as shown in Figure 2.

The pressure is maintained for 5 s, after which the hose assembly is allowed to rest for 1 min.

The test is carried out ten times at the same point, the fold being made in the same direction each time.

**Key**

1 direction of fold

Figure 2 — Kinking test

After the test, the hose assembly shall be filled with water at the specified temperature and then tested at a pressure of 3,15 MPa (31,5 bar) by the method specified in ISO 1402 for 1 min. The hose shall show no evidence of leakage or other defects.

8.4 Resistance to hydrostatic pressure after ageing

The hose assembly, filled with water, shall be aged for seven days (168 h) in an oven, in accordance with ISO 188, at

- (60 ± 2) °C for type 3 hoses;
- (70 ± 2) °C for type 1 hoses;
- (90 ± 2) °C for type 2 hoses.

After ageing, the hose assembly shall be emptied, refilled with water at the specified temperature and again tested at a pressure of 3,15 MPa (31,5 bar) by the method specified in ISO 1402 for 1 min.

During the pressure test, the hose assembly shall not burst or show defects such as leakage or blisters, nor shall there be evidence of coupling slippage.

8.5 Resistance to ozone or weathering

8.5.1 Resistance to ozone (type 1 and type 2 hoses)

The resistance to ozone test shall be carried out in accordance with ISO 7326:2006, method 1.

The hose test piece shall be tested in an atmosphere having an ozone concentration of (50 ± 5) pphm at (40 ± 2) °C for 72 h.

After testing, when viewed under a magnification of $\times 2$, the cover shall show no evidence of cracking.

8.5.2 Resistance to weathering (type 3 hoses)

The weathering test shall be carried out in accordance with the appropriate part of ISO 4892.

The light sources and exposure conditions shall be selected by agreement between the interested parties. Unless otherwise specified, the light sources and exposure conditions indicated in Table 2 are recommended.

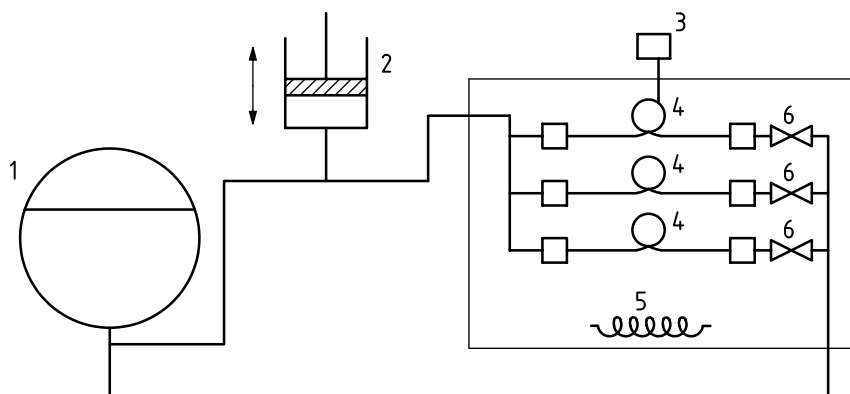
After testing, the cover shall show no evidence of cracks or other defects which could cause the hose to be unserviceable.

Table 2 — Light sources and exposure conditions for weathering

Light source	Cycle No.	Black-standard temperature °C	Chamber temperature °C	Relative humidity %	Exposure time h
Xenon-arc lamp	1	65 ± 3	38 ± 3	50 ± 10	400
Fluorescent UV lamp	1	60	—	Not controlled	350
Carbon-arc lamp with type 3 filter	4	63 ± 3	40 ± 3	50 ± 5	200

8.6 Resistance to hydraulic-pressure impulse test

The hose assembly is connected to a system in which water is circulated and subjected to pressure pulses, as shown in Figure 3.



Key

- 1 pressure reservoir
- 2 pulse generator
- 3 thermostat
- 4 hose assemblies mounted in looped configuration
- 5 heating element
- 6 safety valves

Figure 3 — Equipment for testing resistance to impulses

The hose assembly is filled with water at a temperature of

- (60 ± 2) °C for type 3 hoses;
- (70 ± 2) °C for type 1 hoses;
- (90 ± 2) °C for type 2 hoses.

The hose assembly is then subjected to 25 000 sinusoidal pulses with a lower pressure of 1 MPa (10 bar) and an upper pressure of 2 MPa (20 bar), the thermostat being adjusted so that the temperature in the cabinet is maintained within the limits specified for the water inside the hose assembly. The hose assembly is mounted in a looped configuration with a loop diameter of about 300 mm. The pulse frequency shall be 0,5 Hz to 0,6 Hz. An example of a pulse curve is shown in Figure 4.

During the test, the hose assembly shall not burst or show defects such as leakage or blisters, nor shall there be evidence of coupling slippage.

8.7 Adhesion

When determined in accordance with ISO 8033, the adhesion between the lining and reinforcement and the cover and reinforcement shall not be less than 1,5 kN/m.

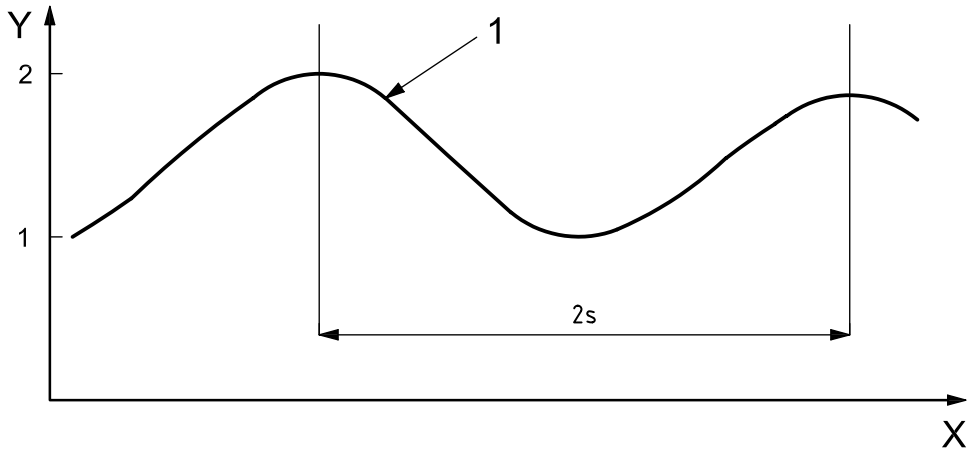
8.8 Mechanical resistance of thermoplastics coupling nuts

If thermoplastics couplings are fitted to the hose to form the hose assembly, the thermoplastics coupling nuts shall have adequate mechanical strength.

Compliance is checked by the following test, which shall be carried out at a standard temperature as specified in ISO 23529.

Before starting the test, the coupling nuts are conditioned for three days (72 h) at a standard temperature and relative humidity specified in ISO 23529.

A nut is then screwed on to a hardened-steel mandrel as shown in Figure 5, the maximum torque applied being 15 N-m.



Key

- X time, in s
- Y pressure, in MPa
- 1 pulse curve

Figure 4 — Pressure pulse diagram

Dimensions in millimetres
(except where otherwise indicated)

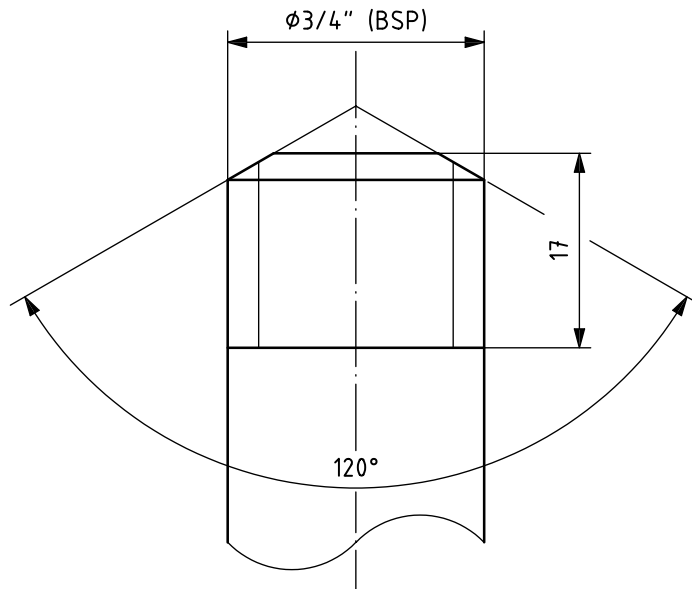


Figure 5 — Mandrel for coupling-nut test

During the test, the nut shall not break.

After removal of the nut, it shall show no cracks visible to the naked eye and shall be fit for further use.

If fittings made of other materials are used, the test requirements shall be agreed between purchaser and supplier.

9 Frequency of testing

Type testing and routine testing shall be as specified in Annex A.

Type tests are those tests required to confirm that a particular hose or hose assembly design, manufactured by a particular method from particular materials, meets all the requirements of this International Standard. The tests shall be repeated at a maximum of five-year intervals, or whenever a change in the method of manufacture or materials used occurs.

Routine tests are those tests required to be carried out on each length of finished hose or hose assembly prior to dispatch.

Production tests are those tests, specified in Annex B, which should preferably be carried out on each batch to control the quality of manufacture. The tests specified in Annex B are given as a guide only.

10 Test certificate

A test certificate, if requested by the customer, shall be supplied by the manufacturer. The recommended contents of such a certificate are given in Annex C.

11 Marking

11.1 The hose shall be continuously and durably marked with the following minimum information:

- a) the manufacturer's name or trademark, e.g. MAN;
- b) the number and year of publication of this International Standard, i.e. ISO 6804:2009;
- c) the hose type, e.g. type 2;
- d) the inside diameter, in millimetres, e.g. 10;
- e) the quarter and the last two digits of the year of manufacture, e.g. 3Q09.

EXAMPLE MAN/ISO 6804:2009/type 2/10/3Q09

11.2 When supplied as hose assemblies, at least one fitting shall be marked with the hose assembly constructor's name or mark.

12 Recommendations for packaging and storage

These are given in ISO 8331.

Annex A (normative)

Type tests and routine tests

Table A.1 gives the type tests and routine tests which are required to be carried out.

Type tests are those carried out to determine that the hose design and method of manufacture meet all the requirements of this International Standard.

Routine tests are those carried out on every manufactured length of hose.

Table A.1 — Required type tests and routine tests

Dimension/property under test (with reference to relevant subclause)	Type test	Routine test
Inside diameter/minimum wall thickness (7.1)	X ^a	X
Concentricity (7.2)	X	X
Tolerances on length (7.3)	X	X
Bending test (8.1)	X	N.A. ^b
Sub-ambient temperature flexing test (8.2.2)	X	N.A.
Standard laboratory temperature flexing test (8.2.3)	X	N.A.
Resistance to kinking (8.3)	X	N.A.
Resistance to hydrostatic pressure after ageing (8.4)	X	N.A.
Resistance to ozone (8.5.1)	X	N.A.
Resistance to weathering (8.5.2)	X	N.A.
Resistance to hydraulic-pressure impulse test (8.6)	X	N.A.
Adhesion (8.7)	X	N.A.
Mechanical resistance of thermoplastics coupling nuts (8.8)	X	N.A.
^a X = Test required. ^b N.A. = Not applicable.		

Annex B (informative)

Recommended tests for production testing

Table B.1 gives the recommended tests for production testing (see Clause 8) to be carried out on a hose or sample of hose from each batch manufactured. A manufactured batch is defined as, at the most, 30 000 m of hose or 10 000 kg of rubber or plastics lining or cover material.

Table B.1 — Recommended tests for production testing

Dimension/property under test (with reference to relevant subclause)	Production test
Inside diameter/minimum wall thickness (7.1)	X ^a
Concentricity (7.2)	X
Tolerances on length (7.3)	X
Bending test (8.1)	N.A. ^b
Sub-ambient temperature flexing test (8.2.2)	N.A.
Standard laboratory temperature flexing test (8.2.3)	N.A.
Resistance to kinking (8.3)	N.A.
Resistance to hydrostatic pressure after ageing (8.4)	N.A.
Resistance to ozone (8.5.1)	N.A.
Resistance to weathering (8.5.2)	N.A.
Resistance to hydraulic-pressure impulse test (8.6)	N.A.
Adhesion (8.7)	N.A.
Mechanical resistance of thermoplastics coupling nuts (8.8)	N.A.
^a X = Test required. ^b N.A. = Not applicable.	

Annex C (informative)

Delivery certificate and test certificate

Tables C.1 and C.2 give information which is recommended for inclusion in delivery and test certificates.

The delivery certificate is intended to be attached to the products being delivered and should contain the information in Table C.1 as agreed between purchaser and supplier.

The test certificate is intended either to be attached to the products being delivered or to be supplied to the purchaser after delivery on request. It should contain the items given in Table C.2.

Table C.1 — Information for inclusion in a delivery certificate

Information	Reference to relevant clause/subclause
1 Identification of the hoses and/or hose assemblies:	
1.1 Hose type	Clause 4
1.2 Temperature rating	Clause 4
1.3 Max. working pressure	Clause 4
1.4 Hoses and coupling nuts (serial or batch numbers)	
2 Quantity of hose or hose assemblies supplied	
3 Inside diameter/minimum wall thickness	7.1
4 Concentricity	7.2
5 Tolerances on length	7.3

Table C.2 — Information for inclusion in a test certificate

Test	Reference to relevant subclause
1 Bending test	8.1
2 Sub-ambient temperature flexing test	8.2.2
3 Standard laboratory temperature flexing test	8.2.3
4 Resistance to kinking	8.3
5 Resistance to hydrostatic pressure after ageing	8.4
6 Resistance to ozone	8.5.1
7 Resistance to weathering	8.5.2
8 Resistance to hydraulic-pressure impulse test	8.6
9 Adhesion	8.7
10 Mechanical resistance of thermoplastics coupling nuts	8.8

Bibliography

- [1] ISO/TR 17784, *Rubber and plastics hoses and hose assemblies — Guide for use by purchasers, assemblers, installers and operating personnel*
- [2] IEC 61770, *Electric appliances connected to the water mains — Avoidance of backsiphonage and failure of hose-sets*

ICS 83.140.40; 97.040.40; 97.060

Price based on 13 pages